

MOUNTING PROCEDURE

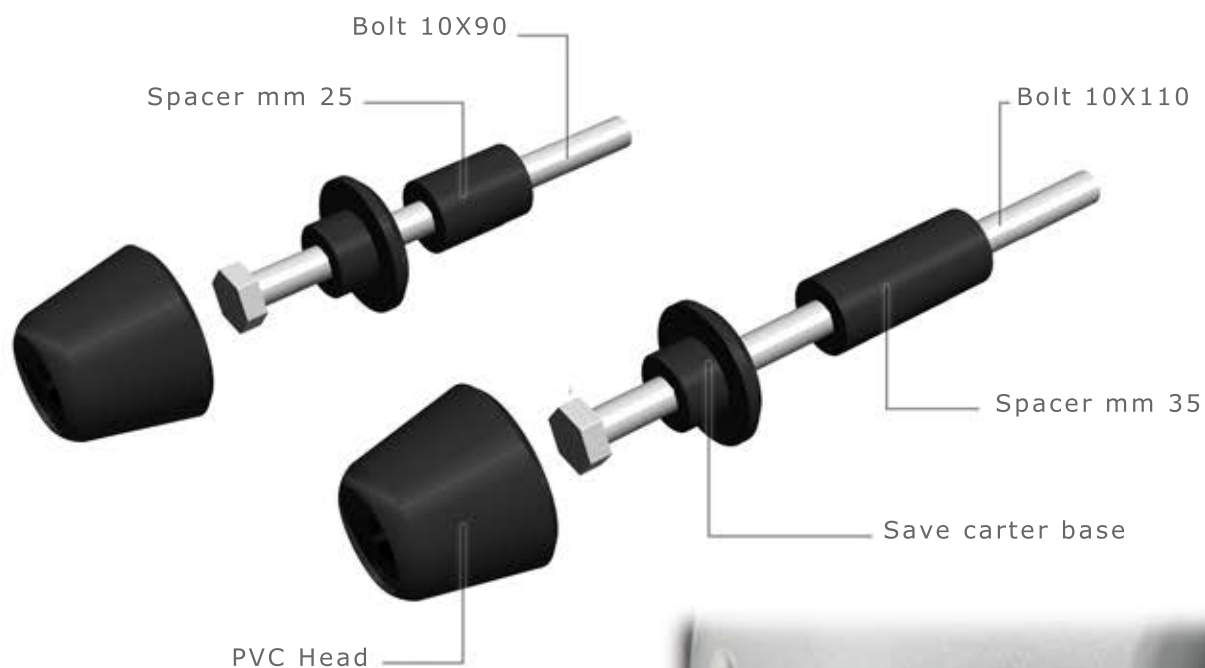
KIT SAVE CARTER SUZUKI GSR 600

SG6101

WWW.BARRACUDAMOTO.COM

KIT

X2. PVC HEAD
X2. SAVE CARTER BASE
X1. SPACER 35 MM
X1. SPACER 25 MM
X1. BOLT 10X110
X1. BOLT 10X90



ATTACK POINT TO THE CHASSIS



VERIFY THE TWO DIFFERENTS LENGHTS OF THE TWO POINT OF FIXING BEFORE THE MOUNTING PROCESS.
MOUNT THE PVC SAVE CARTER ONLY AFTER MOUNTING AND LOCK ALL.