

## ASSEMBLING INSTRUCTION

### NUMBER PLATE

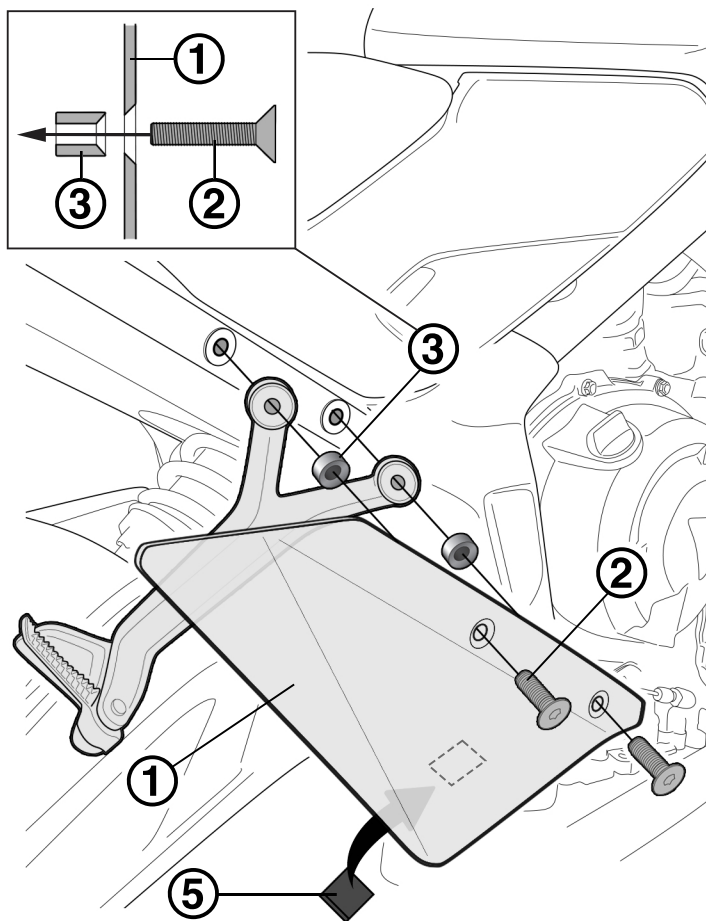
**TR6400-21**

[WWW.BARRACUDAMOTO.COM](http://WWW.BARRACUDAMOTO.COM)

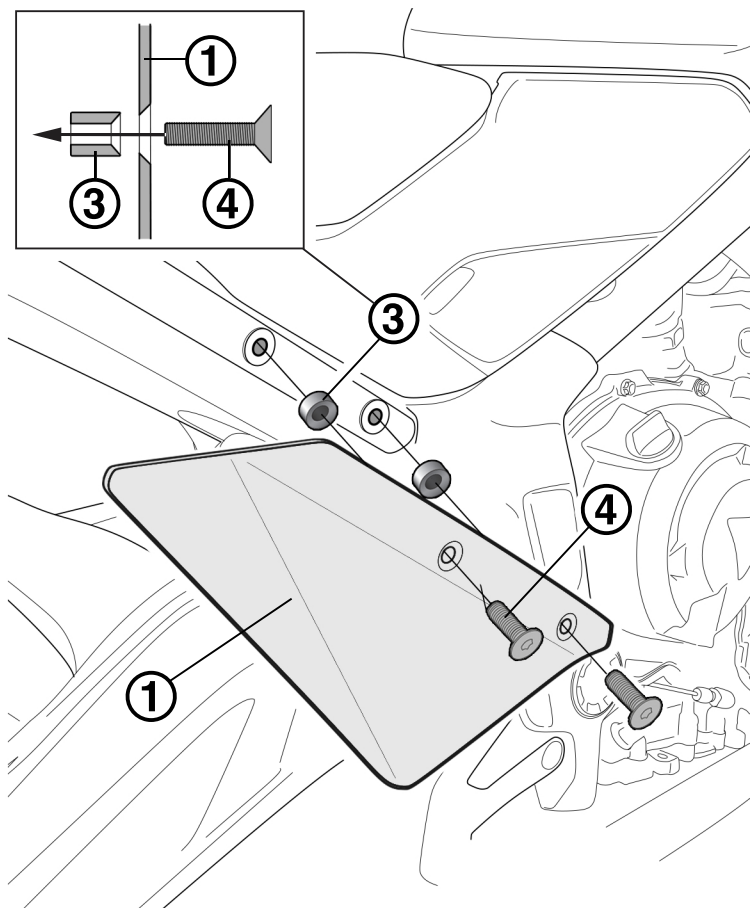
## LEGEND

- |  |  |   |
|--|--|---|
| 1. NUMBER PLATE<br>TABELLA PORTANUMERO<br>SOPORTE PORTANUMERO<br>NUMMERNTAFEL<br>SUPPORT NUMERO  | 3. SPECIFIC THICKNESS H11 MM<br>SPESSORE SPECIFICO H11 MM<br>ESPACIADOR H11 MM<br>ABSTANDSHALTER H11 MM<br>ESPACEUR H11 MM               | 5. NEOPRENE 2X2 MM<br>NEOPRENE 2X2 MM<br>NEOPRENO 2X2 MM<br>NEOPREN 2X2 MM<br>NÉOPRÈNE 2X2 MM |
| 2. COUNTERSUNK ALLEN M8X35<br>VITE A TESTA SVASATA M8X35<br>TORNILLO AVELLANADO M8X35<br>COUNTERSUNK-SCHRAUBE M8X35<br>VIS FRAISEE M8X35 | 4. COUNTERSUNK ALLEN M8X30<br>VITE A TESTA SVASATA M8X30<br>TORNILLO AVELLANADO M8X30<br>COUNTERSUNK-SCHRAUBE M8X30<br>VIS FRAISEE M8X30 | 6. STICKER<br>ADESIVO<br>ADHESIVO<br>KLEBSTOFF<br>ADHÉSIF                                     |

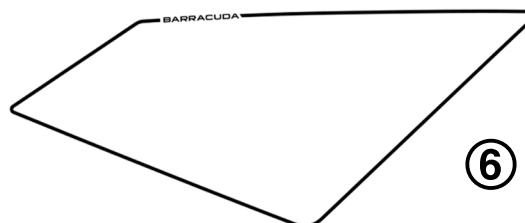
### ASSEMBLING WITH ORIGINAL FOOTPEG



### ASSEMBLING WITHOUT ORIGINAL FOOTPEG



- EN:** ATTACH THE STICKER AFTER TIGHTENING THE BRACKET SCREWS
- IT:** ATTACCARE L'ADESIVO DOPO AVER STRETTO LE BRUGOLE DELLA STAFFA
- ES:** APLICAR EL ADHESIVO DESPUÉS DE APRETAR LOS TORNILLOS DEL SOPORTE
- DE:** TRAGEN SIE DEN KLEBER NACH DEM ANZIEHEN DER BEFESTIGUNGSSCHRAUBEN AUF
- FR:** APPLIQUER L'ADHÉSIF APRÈS AVOIR SERRÉ LES VIS DU SUPPORT



**BARRACUDA**  
Cod.: HX7400-21  
Descr.: SIDE STICKER

#### APPLYING YOUR DECAL

- 1. Clean**  
Clean the area with rubbing alcohol or soap and water.
- 2. Align**  
Align the decal to the number.
- 3. Apply**  
Apply using squeegee. Use a wet finger to smooth the decal and remove the application paper.
- 4. Heat**  
Warm to hand heat gun to full temperature. The decal will adhere to the substrate.